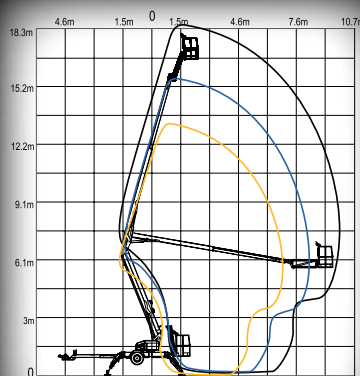


TRAILER MOUNTED BOOMS

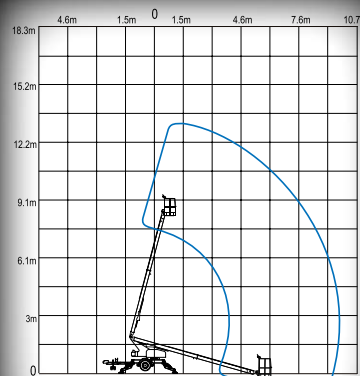
HTA13P / HTA16P HTA19P / HTT13



- Automatic Levelling
- Working heights from 13.3m to 18.8m
- Hydraulic Outriggers
- Easy to use controls
- Material lifting system available
- Self-levelling platform
- Electric socket in the platform
- Hour and battery condition indicator



HTA13P HTA16P HTA19P



HTT13

Haulotte 
GROUP

More than lifting

www.haulotte.com



HTA 13 P / HTA 16 P / HTA 19 P / HTT 13

TRAILER MOUNTED BOOMS

		HTA 13 P	HTA 16 P	HTA 19 P	HTT 13
Working Height	(1)	13.3 m	15.7 m	18.8 m	13.4 m
Maximum Platform Height	(2)	11.3 m	13.7 m	16.8 m	11.4 m
Max. Horizontal Outreach from Centerline	(3)	6.9 m	8.2 m	10.2 m	9.8 m
Max. Horizontal Outreach from Outrigger Edge		5.3 m	6.4 m	8.2 m	8.2 m
Up and Over Height		5.8 m	6.3 m	7 m	N/A
Turntable Rotation		700° NC	700° NC	700° NC	700° NC
Load Capacity	(4)	227 kg	227 kg	227 kg	227 kg
Levelling Capability		12.5°	12.5°	12.5°	12.5°
Height - stowed		1.95 m	1.95 m	1.98 m	1.95 m
Length - stowed		4.95 m	5.9 m	7 m	6.7 m
Width - stowed		166 cm	166 cm	168 cm	165 cm
Platform length		76 cm	76 cm	76 cm	76 cm
Platform width		122 cm	122 cm	122 cm	122 cm
Platform Rotation / Type		120° / Manual	120° / Manual	120° / Manual	120° / Manual
Jib length	(5)	1.3 m	1.3 m	1.3 m	N/A
Jib Vertical Motion		150° (+70 / -80)	150° (+70 / -80)	150° (+70 / -80)	N/A
Jib Horizontal Rotate / Type		180° / Hydr.	180° / Hydr.	N/A	N/A
Length - Outrigger Footprint	(5)	3.4 m	3.8 m	3.9 m	3.7 m
Width - Outrigger Footprint		3 m	3.5 m	3.9 m	3.4 m
Footpad Diameter		25 cm	32 cm	32 cm	32 cm
Nose Weight					
Machine with no options	(6)	111 kg	132 kg	152 kg	122 kg
Machine with full options		181 kg	181 kg	227 kg	136 kg
Parking Brake		Standard	Standard	Standard	Standard
Tyre Size		ST 205/70 R15	ST 225/75 R16	ST 215/75 R16	ST 215/75 R16
Control System		24V DC	24V DC	24V DC	24V DC
Batteries		4 x 6V 245 amp/h	4 x 6V 245 amp/h	4 x 6V 245 amp/h	4 x 6V 245 amp/h
Total Weight (GVW)					
Machine with no options	(6)	1 542 kg	1 905 kg	2 177 kg	1 996 kg
Machine with full options		1 905 kg	2 177 kg	2 522 kg	2 177 kg

(1) Still refer to US standard - The metric equivalent of working height adds 2 m to the maximum platform height. U.S. adds 6ft to the maximum platform height.

(2) Maximum platform height when outriggers are fully extended on a level surface.

(3) As is standard industry practice, this is measured from the edge of the platform plus 5 m arm reach.

(4) Capacity may vary depending on options equipped on machine. Consult factory for details.

(5) Offered as optional equipment.

(6) Weights will vary depending on options and/or market destination. Consult factory for details.

Haulotte 
GROUP