



## COMPACT 10 DX COMPACT 12 DX



### Outstanding rough terrain driving features

- 4 wheel drive
- Automatic differential lock
- Excellent gradeability (40%)
- Ground clearance of 28 cm

### Robust and easy to maintain

- Outriggers positioned within the machine footprint
- Durable and reliable upper control box
- Optimized accessibility to components
- Built-in diagnosis tool

### Exceptional productivity

- Full proportional controls
- Narrow turning radius
- One switch to deploy and retract 4 outriggers

**Haulotte**



# COMPACT 10 DX / COMPACT 12 DX

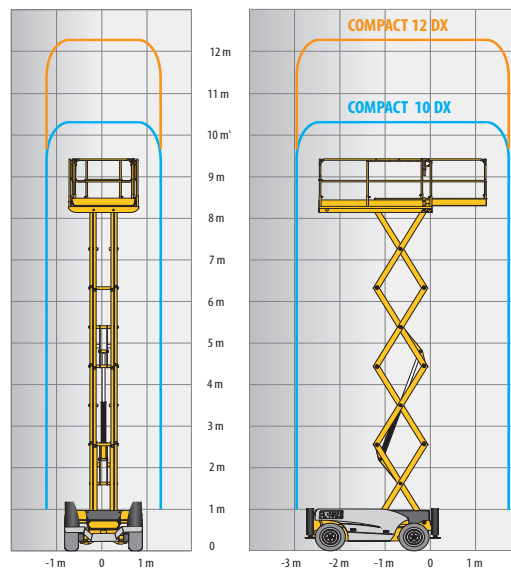
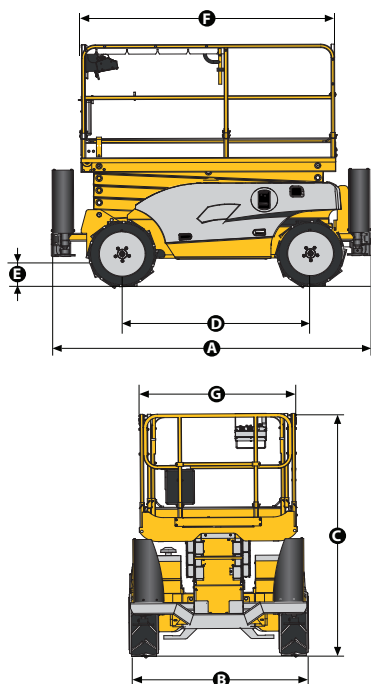


ROUGH TERRAIN SCISSOR LIFTS

## TECHNICAL DATA

### Compact 10 DX Compact 12 DX

Working height	10.28 m	12.06 m
Platform height	8.28 m	10.06 m
Maximum drive height	8.15 m	10.15 m
<b>A</b> Lift capacity	565 kg	450 kg
<b>B</b> Length	3.17 m	3.17 m
<b>C</b> Width	1.78 m	1.78 m
Height - stowed	2.44 m	2.56 m
<b>F</b> Storage height	1.59 m	1.7 m
Platform length	2.45 m	2.45 m
Extended platform length	3.7 m	3.7 m
<b>G</b> Platform extension length	1.2 m	1.2 m
<b>D</b> Platform width	1.45 m	1.45 m
<b>E</b> Wheelbase	1.84 m	1.84 m
Ground clearance	28 cm	28 cm
Number of extensions	1	1
Drive speed	0,8 - 5,5 km/h	0.8 - 5.5 km/h
Turning radius - outside	3.5 m	3.5 m
Lift / lower speed	35 s / 46 s	35 s / 51 s
Engine	Kubota, 18.5kW (25.1hp), Stage 3A	
Gradeability	40 %	40 %
Tires - foam-filled	26x12-16.5	26x12-16.5
Hydraulic system capacity	75 l	75 l



## STANDARD EQUIPMENT

- Kubota engine
- 4 wheel drive, 2 wheel steer
- 3° Tilt alarm
- 1,2m platform extension
- 12V - 74 Ah Batteries
- Removable operator's control box
- Brake release
- Hourmeter
- Towing hooks
- Hydraulic brakes
- Manual platform lowering valve
- Foam filled all terrain tyres
- Automatic levelling outriggers
- Side shields
- Horn
- Lanyard attachment points

## OPTIONS AND ACCESSORIES

- Non marking tyres
- Rotating beacon
- 110 V power to the platform
- Travel alarm
- Motion alarm for movements and translation
- Working light
- Biodegradable oil
- Cold Weather Package
- Swing-door gate
- Foldable guard-rails
- Hydraulic generator 3.5 kW